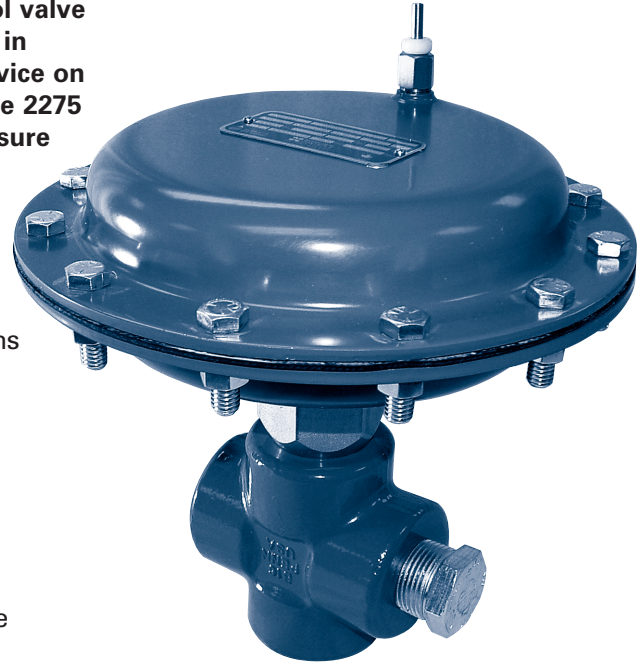


SERIES 2275 LOW COST CONTROL VALVE

The Series 2275 one-inch control valve is ideal for use as a dump valve in high- or low-pressure liquid service on separators, dehydrators, etc. The 2275 can also be used as a back pressure or reducing valve when used with a pressure pilot.



Features:

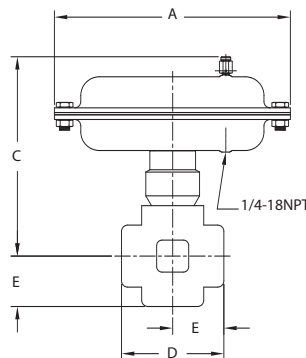
- 1-Inch Screwed End Connections
- Forged Steel Body (A350-LF2)
- 4000 PSI W.P.
- Direct or Reverse Non-Adjustable Actuator
- Stainless Steel Trim
- Optional Carbide Trim Available
- Meets NACE MR0175 2002
- Screwed Closure



MAXIMUM DIFFERENTIAL PRESSURES (ΔP)¹ NO. 9 ACTUATOR

Orifice Size	Flow Direction	Supply ² Pressure	Non-Adjustable Actuator	
			9BA2 Direct	9BA4 Reverse
0.250" (1/4")	Under Seat	20	3200	4000
	Over Seat	30	4000	4000
0.375" (3/8")	Under Seat	20	4000	2100
	Over Seat	30	4000	2100
0.50" (1/2")	Under Seat	20	1200	2100
	Over Seat	30	4000	2100
0.50" (1/2")	Under Seat	20	300	1150
	Over Seat	30	1600	1150
0.50" (1/2")	Under Seat	20	4000	4000
	Over Seat	30	4000	4000

- (1.) Maximum $\Delta P = P_1 - P_2$ where $P_2 = 0$ PSIG. Maximum ΔP cannot exceed maximum valve working pressure.
 (2.) Actuator supply pressure required to fully stroke valve.
 (3.) ΔP and supply pressure based on a 3 PSIG Actuator Spring Pre-Load.



ACTUATOR DIMENSIONS

Size	A	C
9	9 1/2	9.00

SCREWED BODY DIMENSIONS

Body Style	D	E
Globe	4 1/8	2 1/16
Angle	—	2 1/16



MODEL CODE

How to Order

1. Select series number – Series 2275 (Std. NACE) or Series 2276 (NACE/Viton Diaphragm)
2. Select proper model code from charts below
3. Select trim size and material, for example, 1/4" 316 SS.

BODY MATERIAL	
Type	Code
NACE MR0175 2002	N

BODY CONNECTION	
Type	Code
Screwed (NPT)	S

SERIES	
2275	
2276	

BODY PRESSURE RATING		
WOG	ANSI	Code
4000	—	40

ACTUATOR TYPE	
Style	Code
Reverse Non-Adjustable	R
Direct Non-Adjustable	D

ACTUATOR SIZE	
Code	Nom. Diameter
9	9.5

ACTUATOR SPRINGS	
Code	Non-Adjustable
BA2	Direct
BA4	Reverse

PACKING	
Code	Material
—	Teflon

SEALS/DIAPHRAGM MATERIAL		
Code	Seals	Diaphragm
V	Viton	Neoprene (Std.)
O	Viton (2276)	Viton(2276)

BODY STYLE	
Code	Type
T	Tee

2275 SN40RTV-9BA4

SERIES 1.00" DUMP VALVE

Maximum Flow Coefficients (Cv)¹

Orifice Size	Flow Direction	Flow Coefficient (Cv) ²	
		Globe Flow	Angle Flow
0.250"	Under Seat	2.6	2.8
	Over Seat	3.0	3.5
0.375"	Under Seat	3.5	4.8
	Over Seat	3.9	5.1
0.500"	Under Seat	5.5	5.6
	Over Seat	5.5	6.0

Notes: (1) As determined per ISA-S39.2 test method.

(2) Cv values with valve in full open position.

TRIM MATERIAL

Standard/NACE	316 SS
Optional/NACE	Carbide/316 SS

WEIGHT

22 lb.



Engineered Performance

11122 West Little York • Houston, Texas 77041

Tel: 713-466-3552 • Fax: 713-896-7386

www.norriseal.com

Due to the continuous improvement program at Norriseal, specifications and/or prices are subject to change without notice or obligation.

All other trademarks contained herein are the property of their respective owners.

© 2007 Norriseal, A Dover Company

2275-1107T