

SERIES 1005P1 PNEUMATIC LIQUID LEVEL SWITCH

Description/Application

Model "O" is a float actuated pneumatic switch that opens or closes a block and bleed snap acting valve. This switch is used as either a hi or low level alarm with pneumatic panels. Model "P" is the same as "O" except a pneumatic 3-way pilot valve is added. This style is for use with a pneumatic operated control valve to control liquids in separators and scrubbers, etc.

Special Feature — 3-Way Pilot Valve has a built in manual override and porting for piped exhaust.

Specifications —

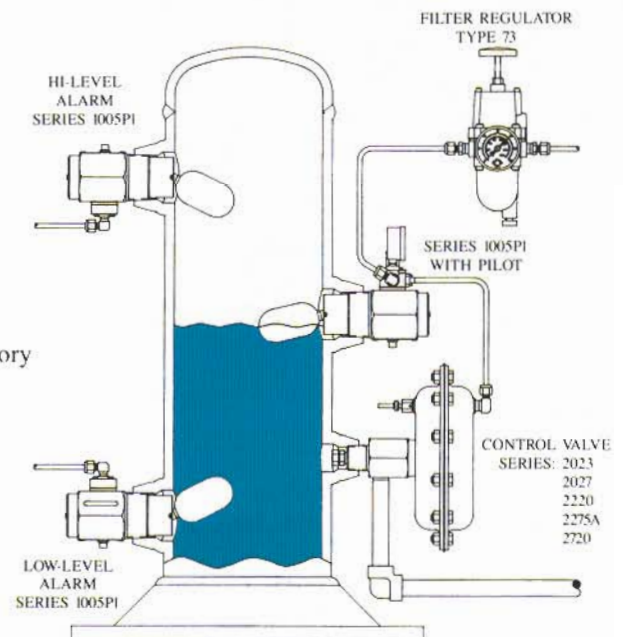
Body	Process Connection	2.00" NPT
	Material	Carbon Steel Plated (Std.) 316 Stainless Steel (Opt.)
	Pressure Rating	1500 psig
	Vent Connection	0.25" NPT (Female)
Float	Material	304 Stainless Steel
Seals	Material (Wetted)	Fluorocarbon (Std.), Nitrile (Opt.)
	Material (Non-Wetted)	Nitrile (Std.), Fluorocarbon (Opt.)
Air	Supply	Min. Operating 15 psig Max. Operating 50 psig Max. Allowable 100 psig
	Connection	0.125" NPT (Female)
	Pilot	Type
	Connections	0.125" NPT (Female)
	Pressure Gauge	0-30 psig (Std.), 0-60 psig (Opt.)
Temperature Rating		180°F (Std.), 250°F (Opt.)
Specific Gravity (Min.)		0.60 (Std.) Lower specific gravities, consult factory
Optional Items		Float Extension Arms Pipe Adapter .125" M x .250" F Filter/Regulators w/Gauges 40 Micron Filter External Float Chambers
Flow Coefficients (Cv)	Block & Bleed Output	0.11
	Pilot Output	0.28
	Pilot Consumption	0.007



MODEL "P"

MODEL "O"

TYPICAL SEPARATOR/SCRUBBER INSTALLATION



Note: A supply filter/regulator should be installed to provide clean dry air for proper performance of switch.

HOW TO ORDER

1. Specify Series 1005P1

2. Select Model Number

Example: 1018 - VP

BODY MATERIAL	CODE
1018 Carbon Steel	1018
316 Stainless Steel	0316

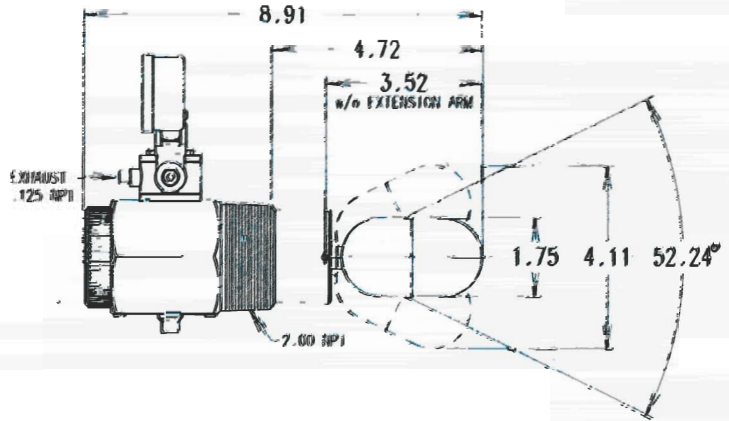
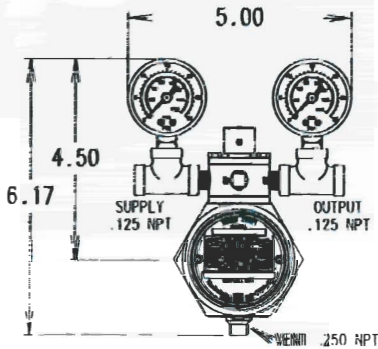
ARM/STEM/FLOAT MATERIAL			
SERVICE	ARM/STEM	FLOAT	CODE
STANDARD	316 SST	304 SST	N
H ₂ S*	316 SST	304 SST	

CODE	PILOT OPTION
P	With Pilot and Gauges
O	Without Pilot
N	With Pilot and No Gauges

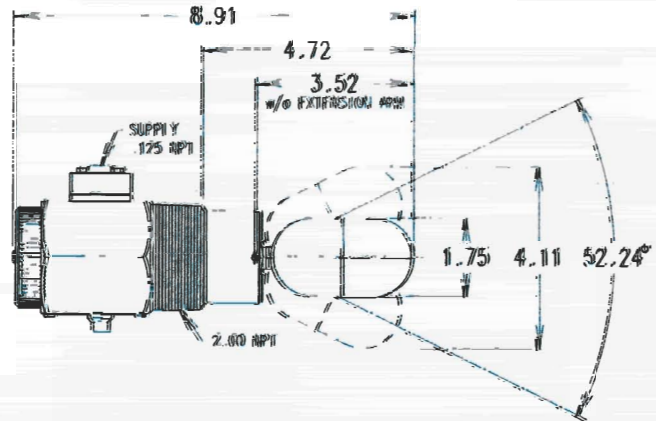
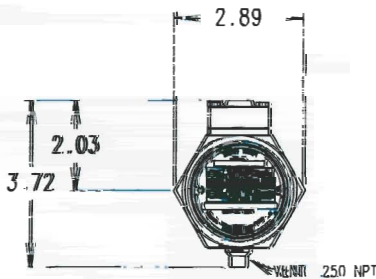
CODE	SEAL MATERIAL		MAX. TEMP.
	WETTED	NONWETTED	
V (Std)	Fluorocarbon	Nitrile	180°F
B	Nitrile	Nitrile	180°F
F	Fluorocarbon	Fluorocarbon	250°F

* Compliance with NACE Spec. MR 01 75

SERIES 1005P1 BLOCK and BLEED with PILOT, MODEL "P"



SERIES 1005P1 BLOCK and BLEED, MODEL "O"



Note: Do not install standard units in a full pipe coupling.

Available Float Extension Arms: 0.63", 1.00", 1.13", 1.50" and 2.06" long.



P.O. Box 40525 · Houston, Texas 77240 0525

Phone: (713) 466-3552 * Fax: (713) 896-7386

www.norriseal.com