

Series 1" 2023A No-Freeze Valve



MODEL S-22RAFO9BA

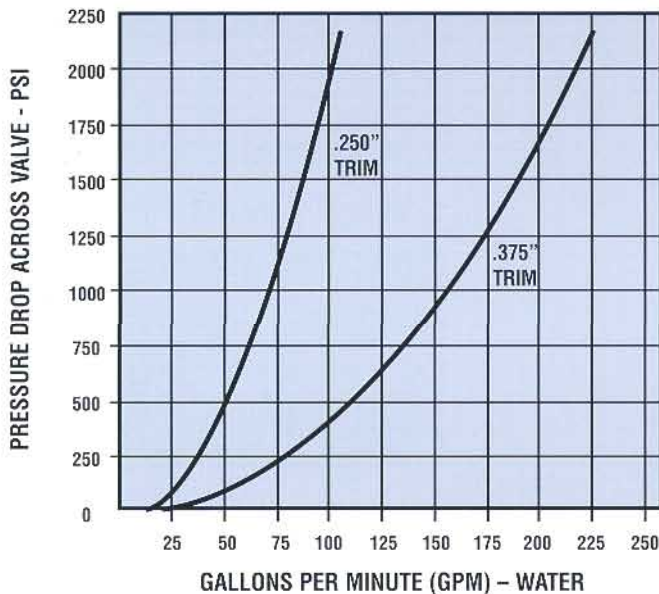
FEATURES:

- Threaded End Connections
- Hexagonal Steel Body
- Ball Type Trim Design
- Replaceable Plug and Seat
- 300 Series SST Trim Standard
- Non-Adjustable Actuator
- Carbide Trim Option
- Soft Seating Trim Option
- NACE MR-01-75 Compliance Option

APPLICATION:

The Series 2023A is ideal for use as a high pressure liquid dump valve for separators and other process vessels. The valve body is specifically designed for constant trim immersion in the vessel's fluid.

LIQUID SIZING CHART



NOTES

1. Maximum Flow Coefficient (C_V) for 0.25" Trim is 2.2
2. Maximum Flow Coefficient (C_V) for 0.375" Trim is 4.8
3. For Gravity Correction, Multiply GPM by $1/\sqrt{S.G.}$
4. To Convert to Barrels Per Day, Multiply GPM By 34.3

SPECIFICATIONS:

Body Inlet Connection1.00" NPT (Male)
 Body Outlet Connection0.50" or 0.75" NPT (Female)
 Body StyleAngle / Freeze Resistant
 Max. Working Pressure2220 psig (ASME CLASS 900)
 Temperature Limits-20° To 180° F.
 Trim CharacteristicQuick Opening
 Actuator ModeReverse Acting
 Actuator Effective Area35 Sq. in.
 Actuator Connection0.25-18 NPT

MAXIMUM DIFFERENTIAL PRESSURES (ΔP) NO. 9 NON-ADJUSTABLE ACTUATOR

Diaphragm Supply Pressure = 17 psig to fully open valve
 Valve/Actuator is Reverse Acting, air to open, normally closed

Maximum Service Pressure = 2220 psig
 Flow in lower port, flow out side port

NOTES

1. Maximum $\Delta P = P_1 - P_2$ Where $P_2 = 0$ Psig.
2. Maximum ΔP Cannot Exceed Maximum Valve Working Pressure.

Series 2023A

How to Order

1. Specify Series Number – 1.00" Series 2023A
2. Specify Outlet Size – 0.50" or 0.75"–14 NPT
3. Select Model Number from chart below

S - 22 R A F 09 BA

BODY CONNECTION	
TYPE	CODE
Threaded (NPT)	S

SERVICE	
TYPE	CODE
Standard	-
NACE MR-01-75	N

BODY RATING	
WORKING PRESSURE	CODE
2220 PSIG Max.	22

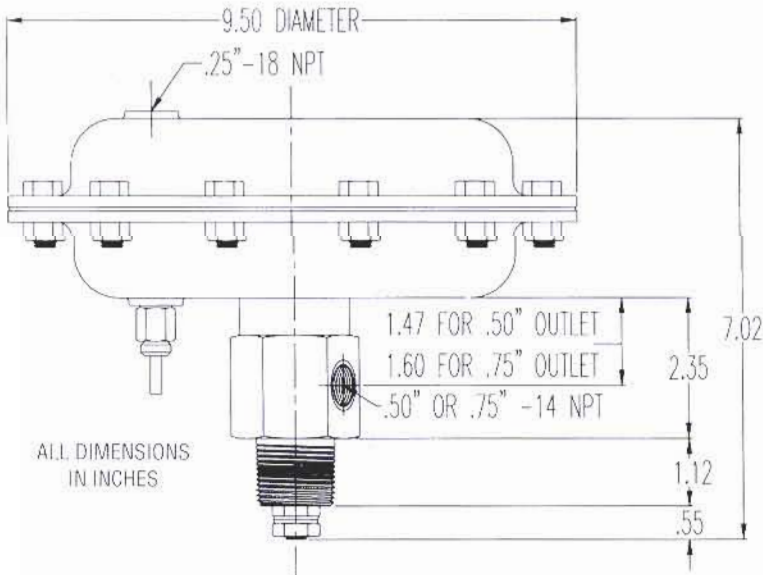
ACTUATOR STYLE	
MODE	CODE
Reverse – Non Adj.	R

ACTUATOR SPRING	
CODE	MODE
BA	Reverse Acting

ACTUATOR SIZE	
CODE	AREA
09	35 IN. ²

SEALS	
CODE	MATERIAL
F	Buna N (Std)
H	Viton ⁽¹⁾

BODY STYLE	
CODE	PATTERN
A	Angle



4. Specify Trim Size – 0.25" or 0.375"
5. Select Trim Material

TRIM MATERIAL	
Standard	303 SST
Optional	Kynar ⁽²⁾ /303 SST
Optional	Carbide/440 SST
Optional (NACE)	316 SST
Optional (NACE)	Kynar ⁽²⁾ /316 SST

1. "Viton" is a Registered Trademark of E I Dupont de Nemours & Co. Inc.
2. "Kynar" is a registered trademark of Penwalt Corporation.



Company Headquarters, Manufacturing Plant & Sales: P.O. Box 40525 • Houston, TX 77240-0525 • 11122 West Little York • Houston, TX 77041
 (713) 466-3552 • Fax (713) 896-7386 • www.norriseal.com