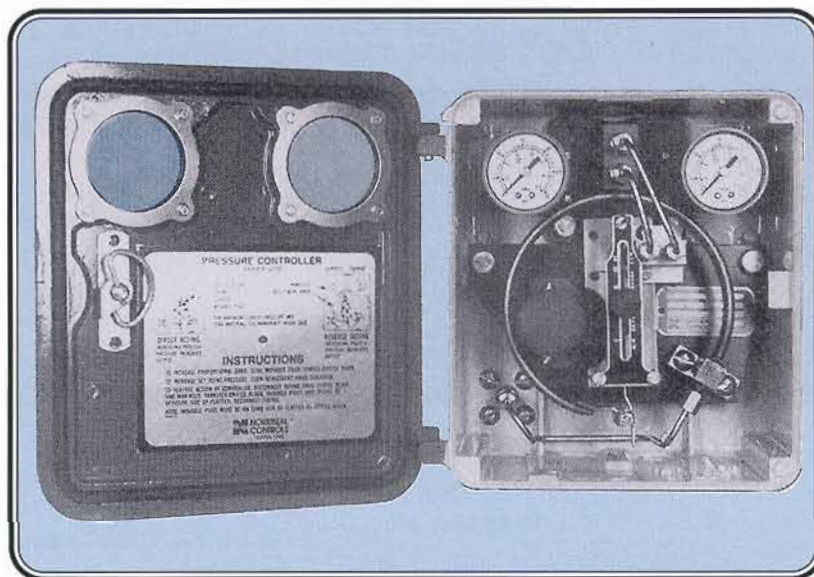


## SERIES 4300 PNEUMATIC NON-INDICATING PRESSURE CONTROLLERS

The Norriseal Series 4300 is a pneumatic non-indicating pressure controller, which provides either proportional or on/off control. The Series 4300 combines rugged construction, simple operation, adjustment and easy installation. The Bourdon tube sensing element provides pressure ratings up to 7500 psig and is field replaceable.



### FEATURES:

1. Stainless steel fasteners and fittings for maximum corrosion resistance
2. Weathertight case with removable cover
3. Optional compliance with NACE spec MR-01-75
4. Controller action is field reversible
5. Convenient adjustment of proportional band and set point
6. Different orifice sizes available to suit actuator size

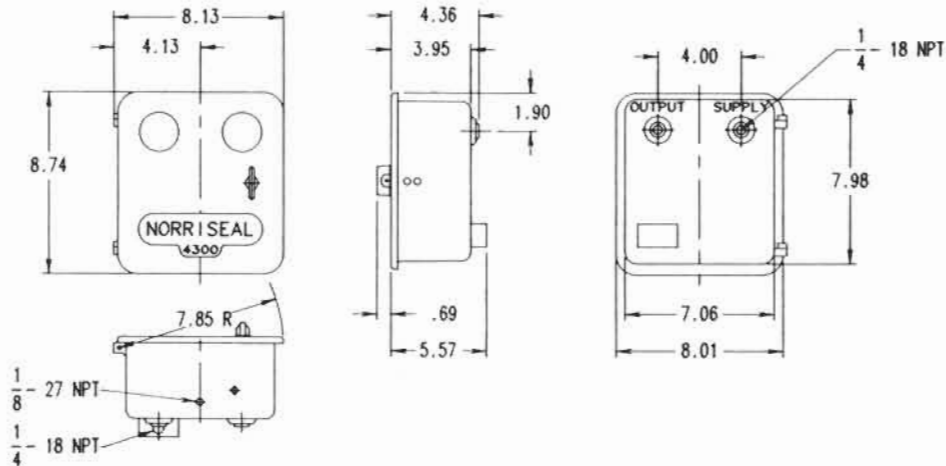
### APPLICATION:

The Series 4300 is ideal for most types of control valve installations requiring a dependable pneumatic controller with a minimum of parts.

## SPECIFICATIONS

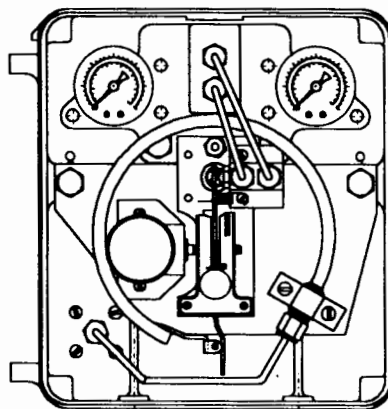
<b>ACTION</b>	Direct ( <i>Increasing process pressure increases output</i> ) Reverse ( <i>Increasing process pressure decreases output</i> )									
<b>CONTROL MODES</b>	Proportional or On/Off									
<b>ORIFICE TYPE</b>	Fixed or Intermittent bleed									
<b>SENSING ELEMENT</b>	Bourdon Tube									
<b>INPUT SIGNAL</b>	Positive pressure consistent with bourdon tube rating									
<b>OUTPUT SIGNAL</b>	Proportional: 3-15 or 6-30 psig On/Off: 0-20 or 0-35 psig									
<b>SUPPLY PRESSURE</b>	20 psig for 3-15; 35 psig for 6-30 ( <i>Clean dry air or non-corrosive gas</i> )									
<b>AIR CONSUMPTION</b>	<table border="1" style="border-collapse: collapse; width: 100%;"> <thead> <tr> <th style="text-align: left;">Orifice Size</th> <th style="text-align: center;">20 psig</th> <th style="text-align: center;">35 psig</th> </tr> </thead> <tbody> <tr> <td>Small</td> <td style="text-align: center;">15 SCFH</td> <td style="text-align: center;">20 SCFH</td> </tr> <tr> <td>Large</td> <td style="text-align: center;">35 SCFH</td> <td style="text-align: center;">50 SCFH</td> </tr> </tbody> </table>	Orifice Size	20 psig	35 psig	Small	15 SCFH	20 SCFH	Large	35 SCFH	50 SCFH
Orifice Size	20 psig	35 psig								
Small	15 SCFH	20 SCFH								
Large	35 SCFH	50 SCFH								
<b>ADJUSTMENT</b>	<p><i>Set Point:</i> Continuously adjustable to set proportional band anywhere within bourdon tube range</p> <hr/> <p><i>Proportional Band:</i> 2% to 50% of bourdon tube range</p> <hr/> <p><i>Recommended Differential Gap:</i></p> <p style="padding-left: 40px;">For 20 psig Supply - 10% to 25% of bourdon tube range</p> <p style="padding-left: 40px;">For 35 psig Supply - 15% to 25% of bourdon tube range</p>									
<b>TEMPERATURE LIMITS</b>	-40° to 150° F (Ambient and Process)									
<b>MOUNTING OPTIONS</b>	May be mounted on actuator yoke or diaphragm housing									
<b>WEIGHT</b>	Approximately 8.6 lbs.									

## DIMENSIONS

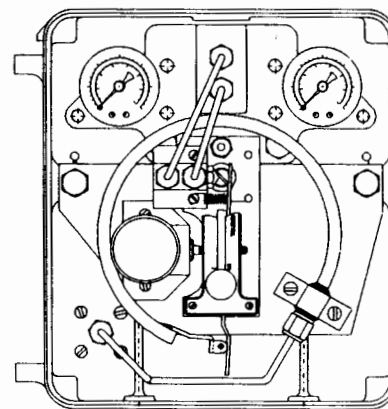


**Series 4300 and 4300R**

Direct or reverse acting proportional pneumatic controller with a 316 SST bourdon tube, aluminum case and door, supply and output gauges, 3-15 or 6-30 psig output signal (span), 2 to 20% proportional band.



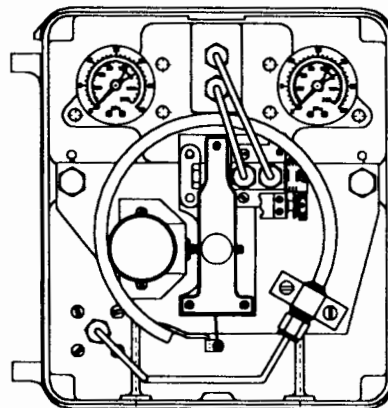
4300 DIRECT



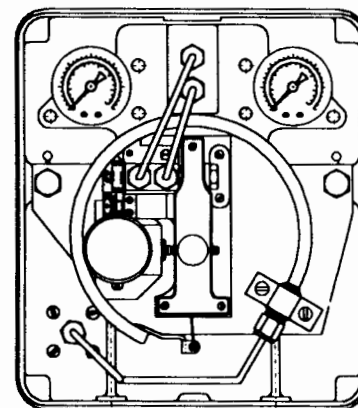
4300 REVERSE

**Series 4301 and 4301R**

On/Off (2 position) control with a fixed bleed, direct or reverse snap action, snap range with an adjustable differential gap from 10% to 25% of the bourdon tube pressure rating. The snapping range may be set at any point within the tube rating. The snap action is controlled by a magnet.



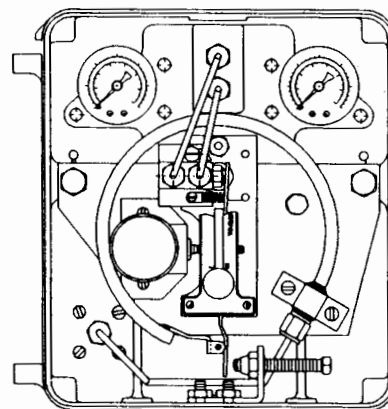
4301 DIRECT



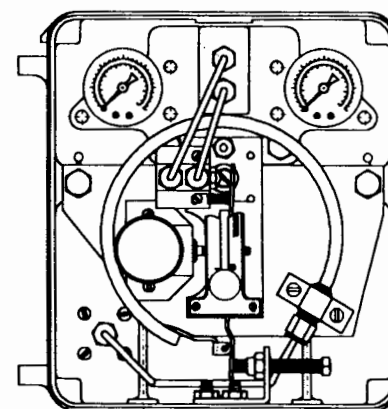
4301 REVERSE

**Series 4302**

Hi-Low with cutout on high and low set point, designed to put out signal to control valve when controlled process pressure falls below the low pressure set point or rises above the high pressure set point, used in conjunction with a normally closed control valve. High set point proportional band is 20% to 90% of bourdon tube range. Low set point 5% of bourdon tube range to 5% of this maximum range below the high set point. Intermittent bleed. When used with a fail close valve, relay required.



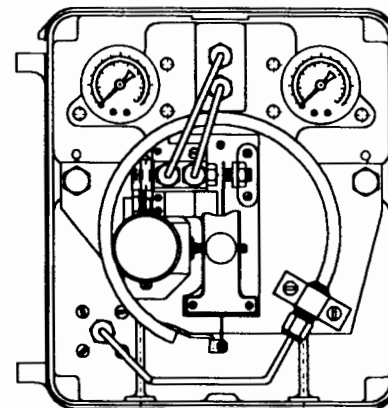
4302



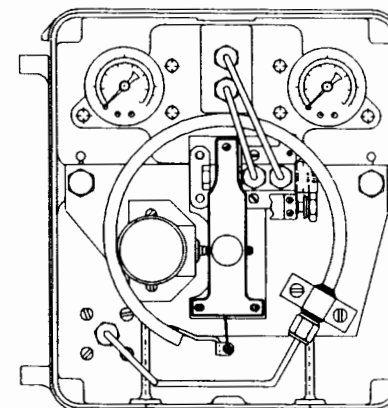
4302 REVERSE

**Series 4302R**

Proportional with output signal cutout on low input signal, designed to cutout (output) pressure below low pressure to control valve when controlled pressure falls below set point, fixed bleed, 2% to 50% proportional band.



4304 DIRECT



4304 REVERSE

**Series 4301 and 4301R**

On/Off, intermittent bleed controller, magnet-controlled differential gap, bleeds only when relieving output pressure, proportional band is 10% to 25% of bourdon tube rating for 20 psig supply, 15% to 25% of bourdon tube rating for 35 psig supply.

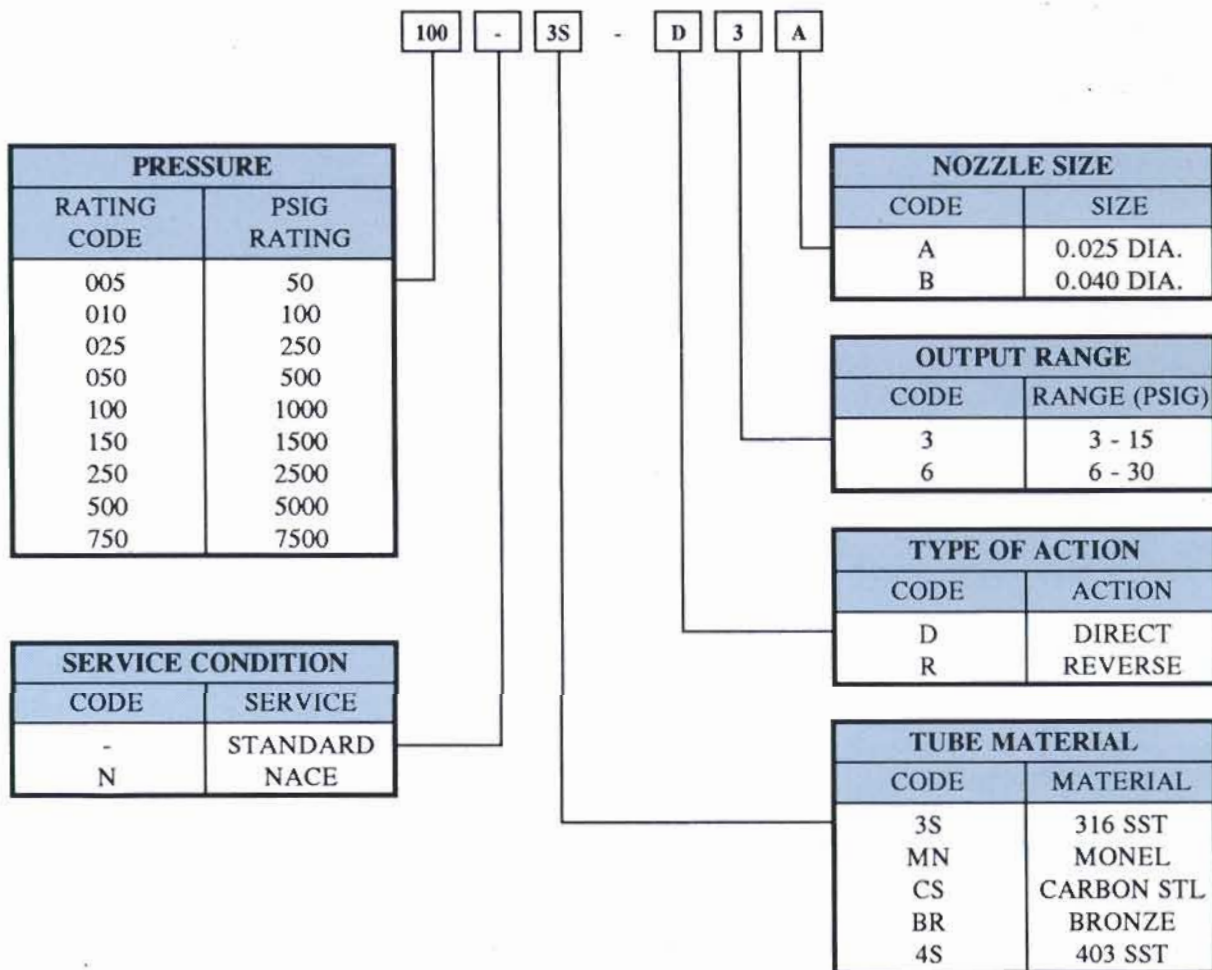
## AVAILABLE CONFIGURATIONS:

1. Series 4300 and 4300R - Proportional control with constant bleed, direct or reverse action.
2. Series 4301 and 4301R - On/Off (2-Position) control with fixed bleed, direct or reverse action.
3. Series 4302 - On/Off with cutout on high set point, direct action (reversing relay required).
4. Series 4302R - Proportional control with constant bleed, incorporating low pressure cutout, reverse action.
5. Series 4304 and 4304R - On/Off (2-Position) control with intermittent bleed, direct or reverse action.

**Note:** When a diaphragm seal is required to isolate the bourdon tube, add the suffix "S" to the Series number i.e. 4302RS.

## ORDERING INFORMATION:

1. Select Series number, as defined above
2. Select Model number, according to model code below
3. Specify mounting location/type (i.e. actuator yoke or diaphragm housing).



P.O. Box 40525 - Houston, Texas 77240-0525  
 Phone: (713) 466-3552 \* Fax: (713) 896-7386  
[www.norriseal.com](http://www.norriseal.com)