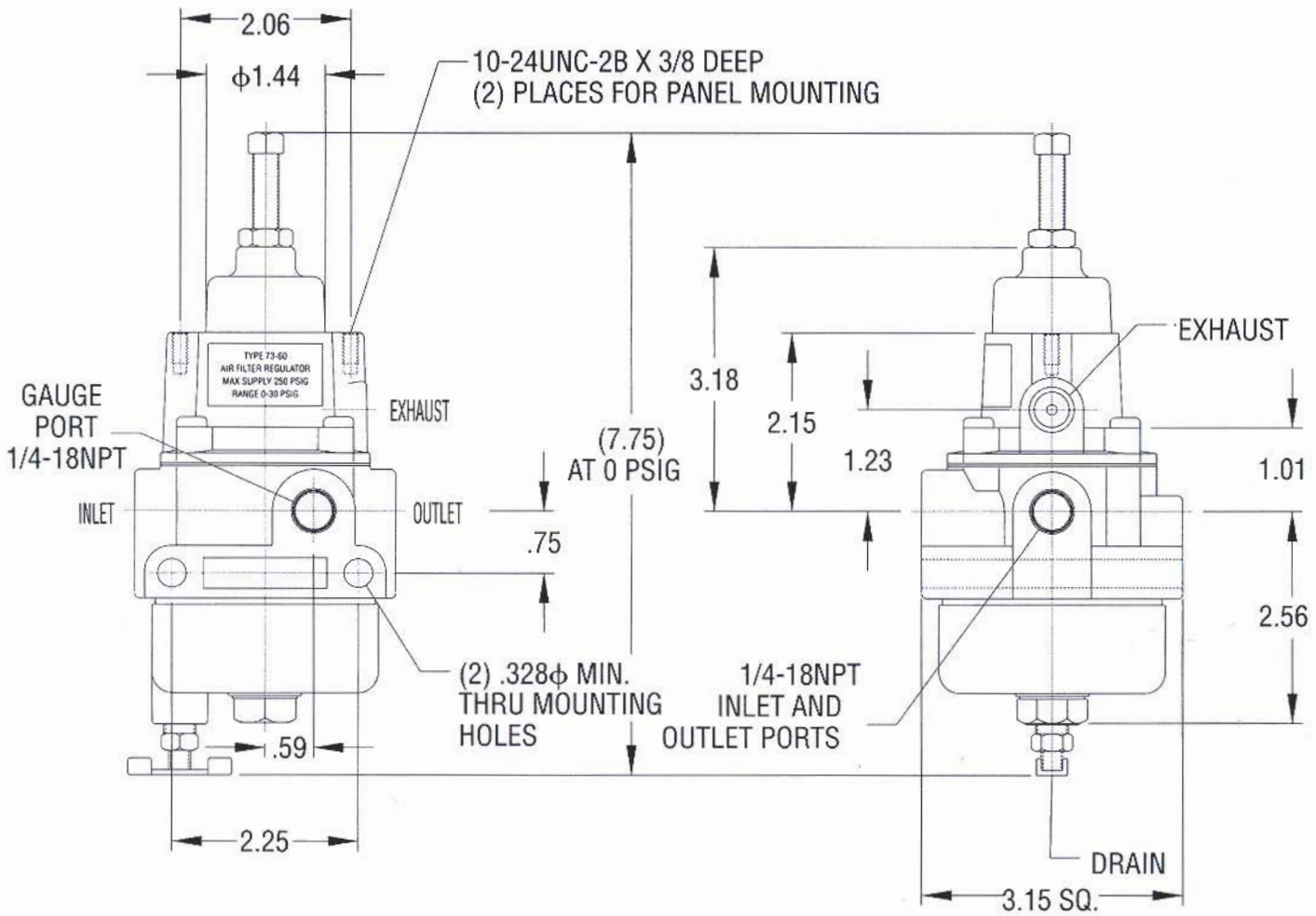


DIMENSIONS



ORDERING INFORMATION

Model No.	Port Size (NPT)	Output Range	
		psig	kPa
73-30	1/4"	0-30	0-200
73-60	1/4"	0-60	0-400
73-120	1/4"	0-120	0-800



Company Headquarters, Manufacturing Plant & International Sales
 P.O. Box 40525 • Houston, TX 77240-0525
 11122 West Little York • Houston, TX 77041-5016
 (713) 466-3552 • Fax (713) 896-7386
www.norriseal.com

OPTIONS

- Add proper suffix to end of model number
- A: Bronze backmounted pressure gauge
 - B: SST backmounted pressure gauge
Note: When specified with regulator, the correct range will be supplied.
 - H: SST adjusting screw and SST jam lock nut
 - I: Knurled plastic knob with SST threaded shank and SST jam lock nut
 - L: 1-Bolt flat mounting bracket (diaphragm housing bolt circle mount)
 - M: 2-Bolt "L" mounting bracket (yoke or wall mount)
 - Q: 5 micron filter
 - R: 0.25" NPT tapped exhaust connection
 - V: Viton pintle and diaphragm
 - W: NACE MR-01-75 compliance